

Estas cotas devem ser controladas ao longo do comprimento \*L=50\*  
 Dimensões internas são as mais importantes.

As superfícies internas e externas ao longo do comprimento L=50  
 não deverão receber pintura.

As cotas indicadas se referem ao carregador sem tratamento superficial.

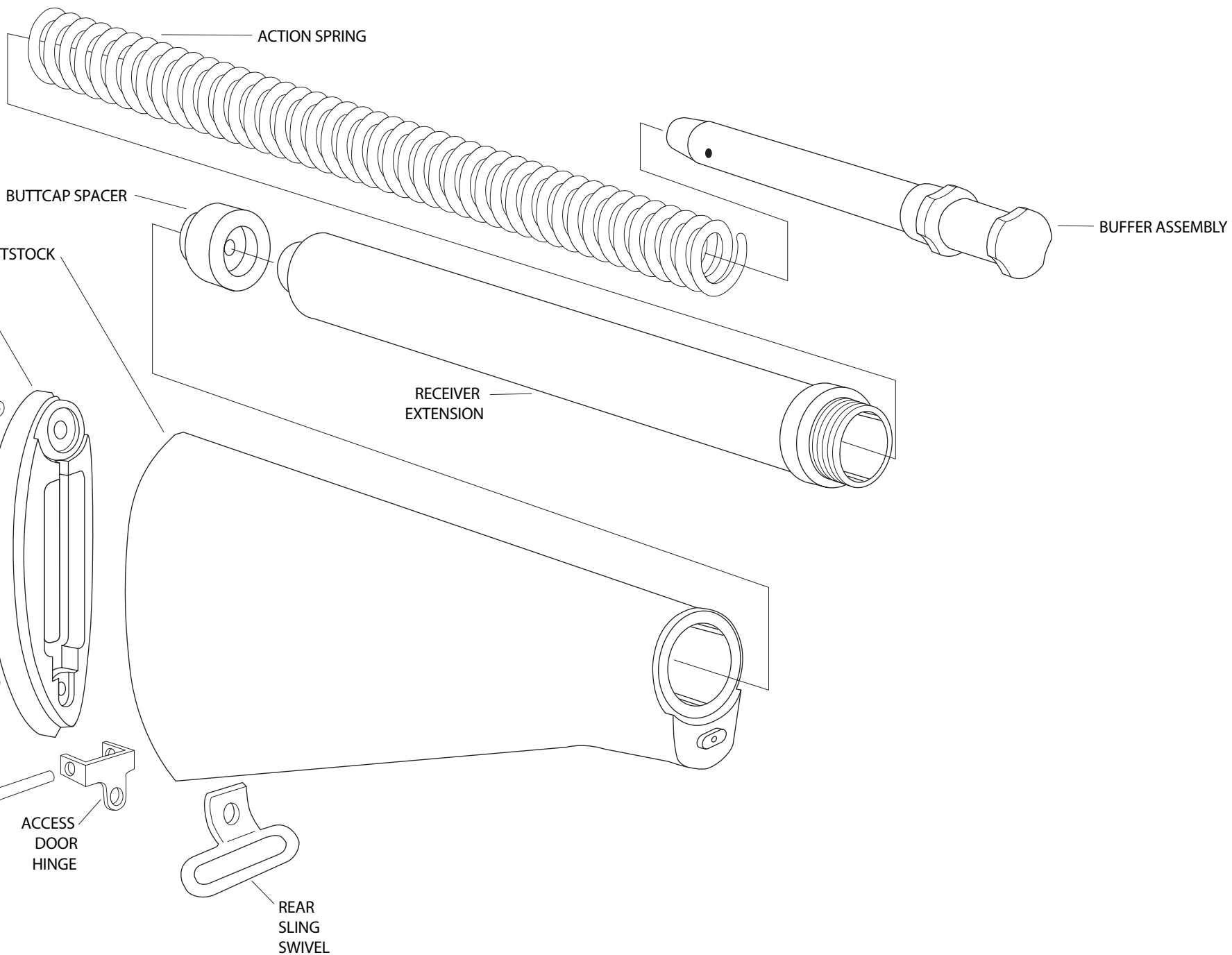
| SC         | MATERIAL                     | TRAT. TÉRMICO                                 | TRAT. SUPERFICIAL  |
|------------|------------------------------|---|--|
| SC 9/1A    | ACO AISI 1010<br>e=0,36e0,08 | CARBONITRETAÇÃO<br>SUBCRÍTICA<br>(75-80)HN 15 | PINTURA EPÓXI, PRETO FOSCO<br>CAMADA DE 0,05 MÁX.  |
| SC 9/1A-AL | ASTM 6061<br>e=1-0,10        |   | ANODIZAÇÃO DURA,<br>CAMADA DE 0,02 A 0,04mm<br>PINTURA EPÓXI, PRETO FOSCO<br>CAMADA DE 0,05 MÁX. |

DEN  
 14 JUL 2008

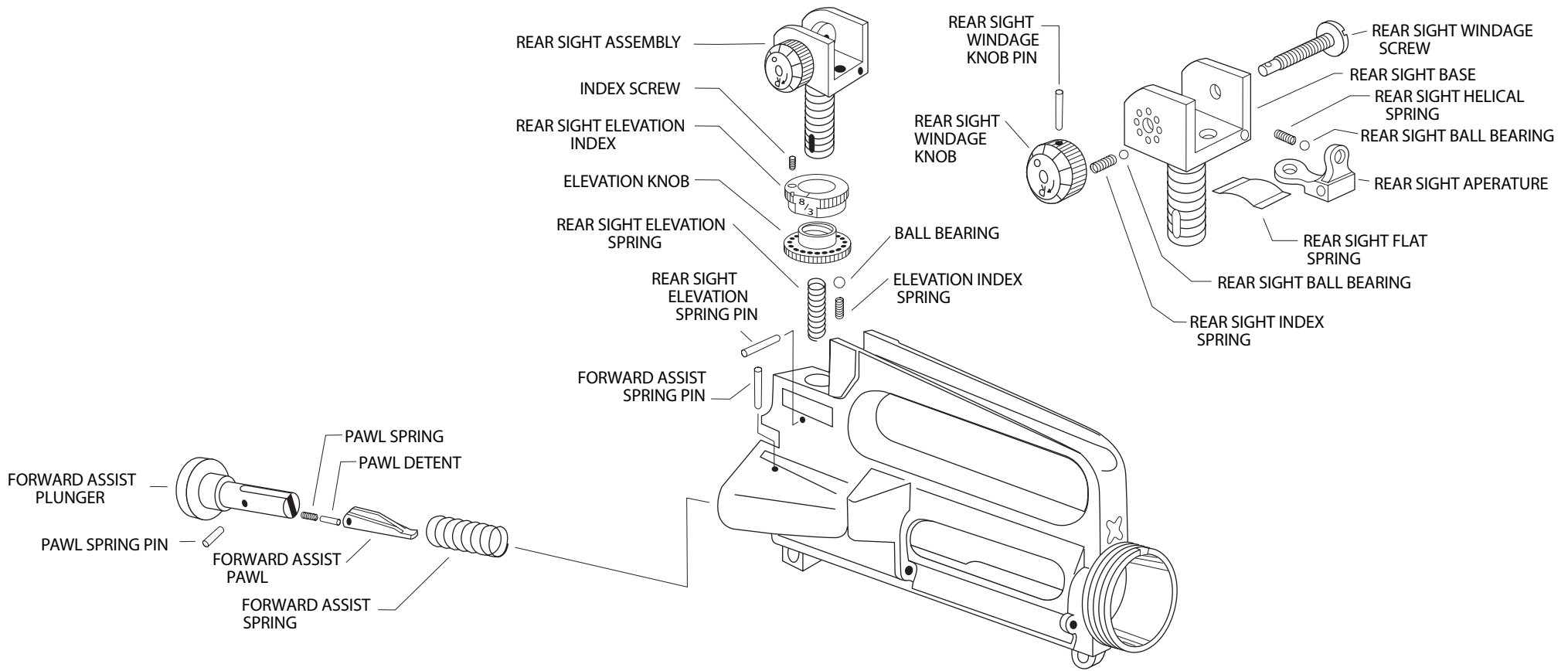
CÓPIA NÃO CONTROLADA,  
 ATUALIZAÇÃO NÃO ASSEGUADA  
 CONTATAR A ENGENHARIA/FI  
 ANTES DE SUA UTILIZAÇÃO

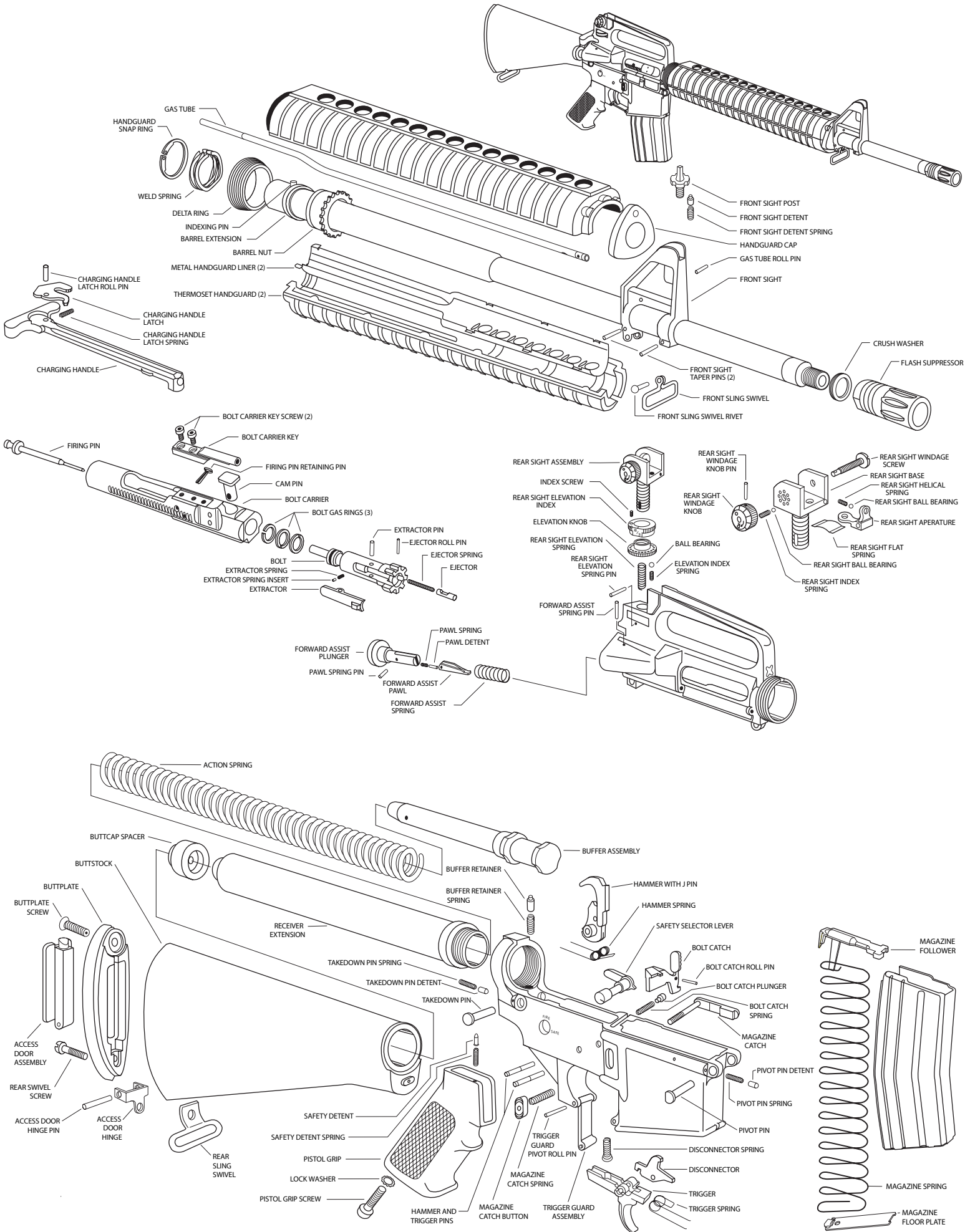
**ATENÇÃO**  
 Este Desenho é de propriedade exclusiva da  
 IMBEL. A sua reprodução ou utilização, ficará  
 condicionada e autorizada por escrito da  
 IMBEL.

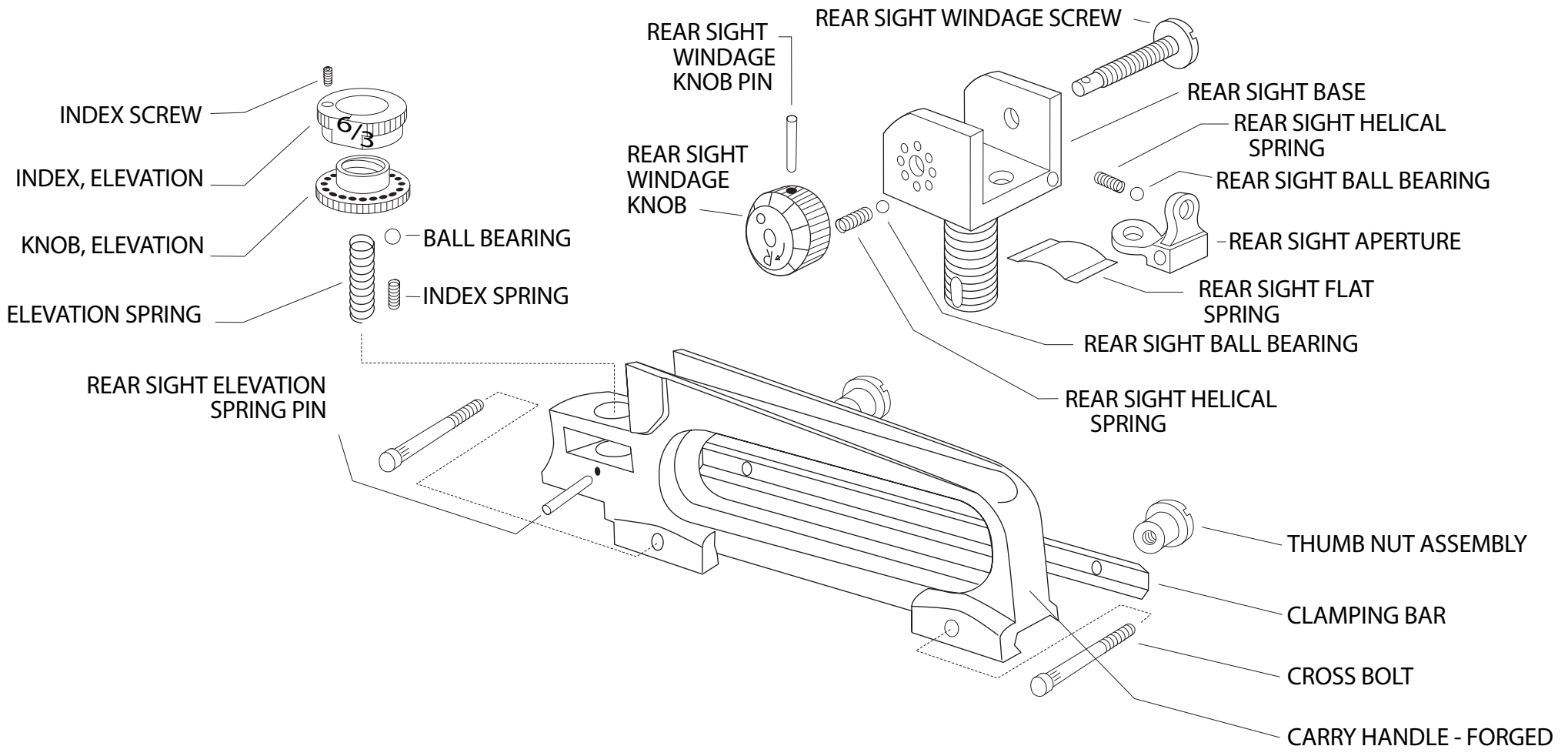
| Material    | Tratamento Térmico           | Tratamento Superficial | Código  |
|-------------|------------------------------|------------------------|---|
| Modificação | 4410                         | 4360                   |   |
| Escala      | <b>CORPO DO CARREGADOR</b>   |                        | Nº A2 - 9097 - 500  |
| 1:1         | Código                       |                        | Uso DEFINITIVO  |
| Projeto     | Produto: Fz 5,56-IMBEL M097L |                        | Substitui: A2-9097 de 21/12/04  |
| Peça        | Op.                          |                        | Substituído por:  |
| Aprovado    | ENR. CAPETI                  | 16/05/08               | INDÚSTRIA DE MATERIAL BÉLICO DO BRASIL<br><b>IMBEL</b><br>FÁBRICA DE ITAJUBÁ - F5 |
| Conferido   | PROJ. GUILTER                | 16/05/08               |   |
| Projeto     | PROJ. FRANCISCO              | 16/05/08               |   |
| Desenhado   | PROJ. C VITALINO             | 16/05/08               |   |

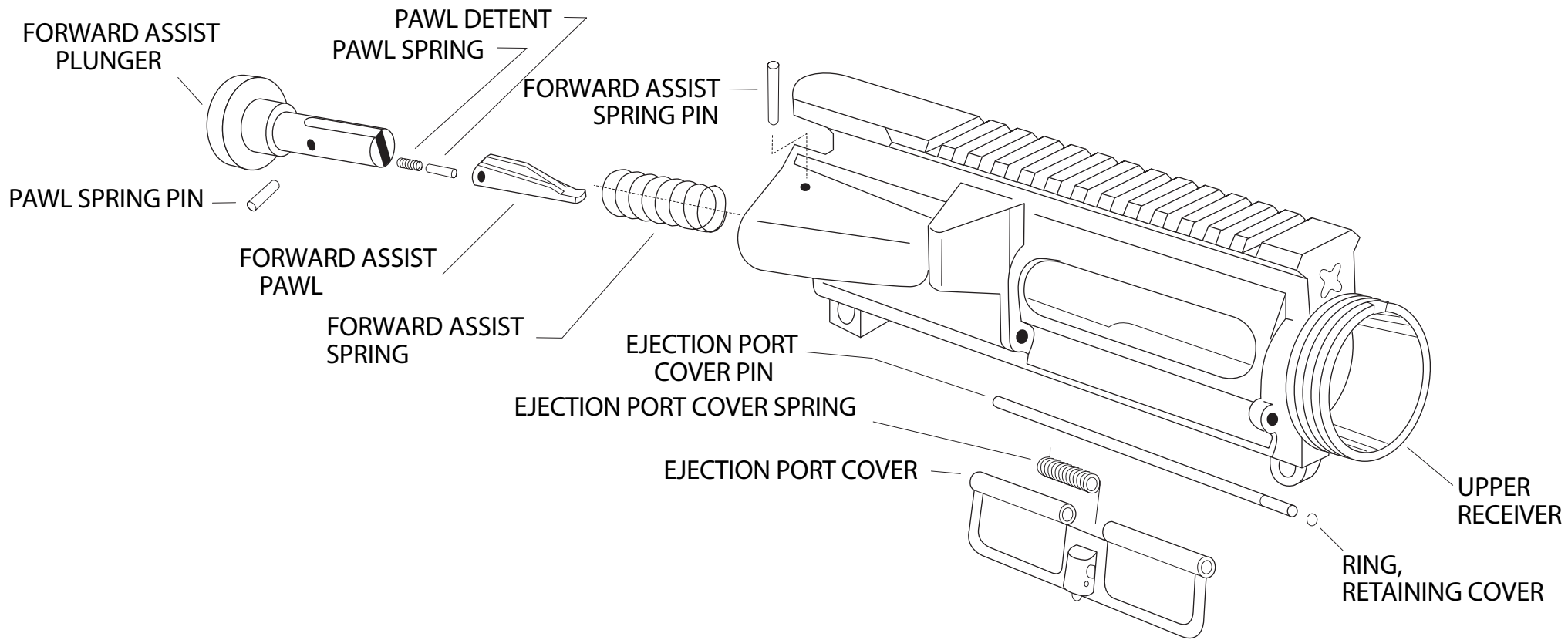


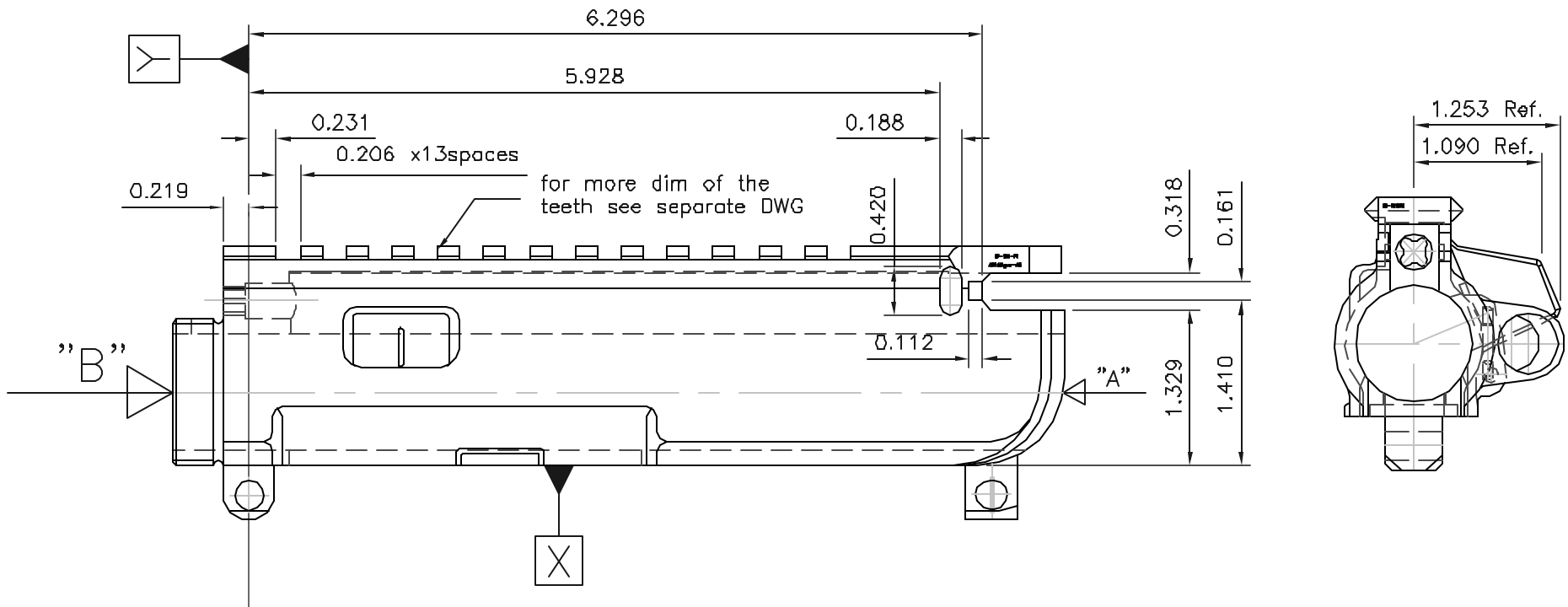












| NOT TO SCALE                          |                 |            |                         |
|---------------------------------------|-----------------|------------|-------------------------|
| DIMENSIONS ARE IN IN. ■ MM. □ D □ UAL |                 |            |                         |
| TOLERANCES UNLESS OTHERWISE SPECIFIED |                 |            |                         |
| INCH ± .005                           |                 |            |                         |
| MM. ±                                 |                 |            |                         |
| ANGLE ± .5 Deg                        |                 |            |                         |
| FINISH                                | PARTS SPEC. NO. |            |                         |
| MATERIAL                              |                 | DRAWN BY   |                         |
| 7075 T6 ALUMINUM FORGING              |                 | DATE       | SCALE FULL              |
| DISTRIBUTION                          |                 | Jan 2003   |                         |
| LATEST PLOT RELEASE DATE              |                 | CHECKED BY | SHEET NO. 5 OF 8 SHEETS |
| DRAWING NUMBER                        |                 |            |                         |
| CODE                                  | IDENT. NO.      | SIZE       | VAR.                    |
|                                       |                 | A          |                         |

MODEL  
AR15 UPPER RECEIVER (FLATTOP)

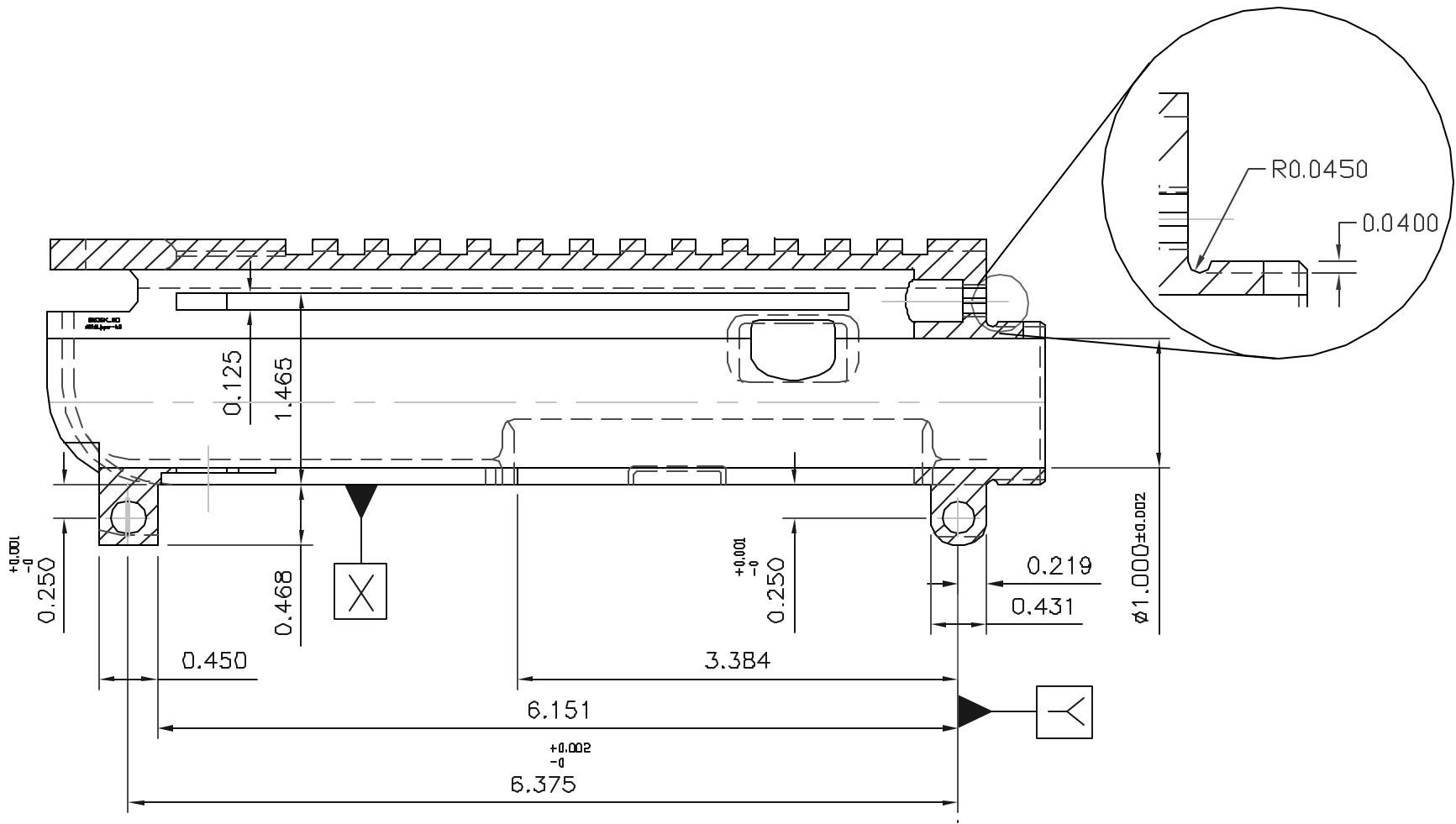
TITLE  
LEFT / REAR

DRAWN BY

CHECKED BY

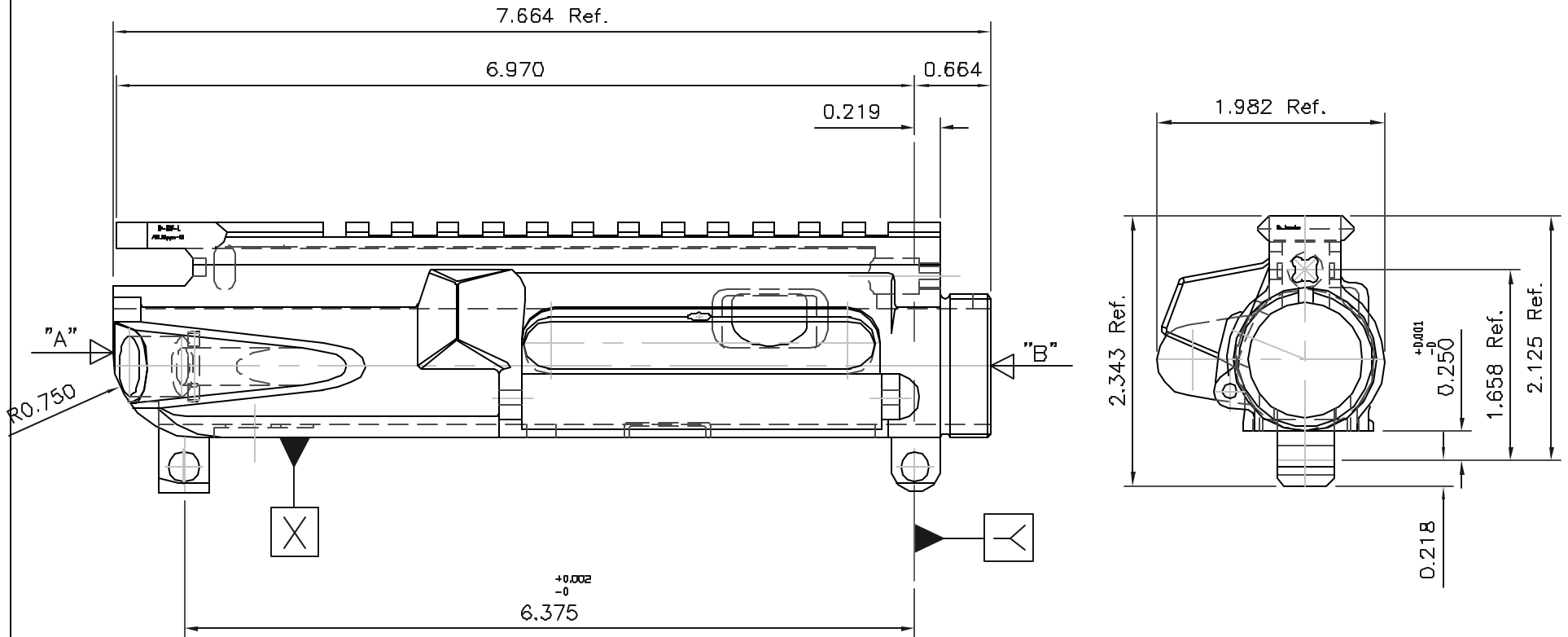
DRAWING NUMBER

CODE IDENT. NO. SIZE VAR.



|                                       |            |                 |      |
|---------------------------------------|------------|-----------------|------|
| NOT TO SCALE                          |            |                 |      |
| DIMENSIONS ARE IN IN. ■ MM. □ D □ UAL |            |                 |      |
| TOLERANCES UNLESS OTHERWISE SPECIFIED |            |                 |      |
| INCH ± .005                           |            |                 |      |
| MM. ±                                 |            |                 |      |
| ANGLE ± .5 Deg                        |            |                 |      |
| FINISH                                |            | PARTS SPEC. NO. |      |
| MATERIAL                              |            | DRAWN BY        |      |
| 7075 T6 ALUMINUM FORGING              |            | DATE            |      |
| DISTRIBUTION                          |            | Jan 2003        |      |
|                                       |            | SCALE FULL      |      |
|                                       |            | CHECKED BY      |      |
|                                       |            | DATE            |      |
|                                       |            | SHEET NO. 1     |      |
|                                       |            | OF 8 SHEETS     |      |
| DRAWING NUMBER                        |            |                 |      |
| CODE                                  | IDENT. NO. | SIZE            | VAR. |
|                                       |            | A               |      |





| NOT TO SCALE                          |                 |             |      |
|---------------------------------------|-----------------|-------------|------|
| DIMENSIONS ARE IN IN. ■ MM. □ D □ UAL |                 |             |      |
| TOLERANCES UNLESS OTHERWISE SPECIFIED |                 |             |      |
| INCH ± .005                           |                 |             |      |
| MM. ±                                 |                 |             |      |
| ANGLE ± .5 Deg                        |                 |             |      |
| FINISH                                | PARTS SPEC. NO. |             |      |
| MATERIAL                              |                 | DRAWN BY    |      |
| 7075 T6 ALUMINUM FORGING              |                 | DATE        |      |
| DISTRIBUTION                          |                 | Jan 2003    |      |
|                                       |                 | SCALE FULL  |      |
|                                       |                 | SHEET NO. 5 |      |
|                                       |                 | OF 8 SHEETS |      |
| DRAWING NUMBER                        |                 |             |      |
| CODE                                  | IDENT. NO.      | SIZE        | VAR. |
|                                       |                 | A           |      |

MODEL  
AR15 UPPER RECEIVER (FLATTOP)

TITLE  
RIGHT / FRONT

CHECKED BY

DATE

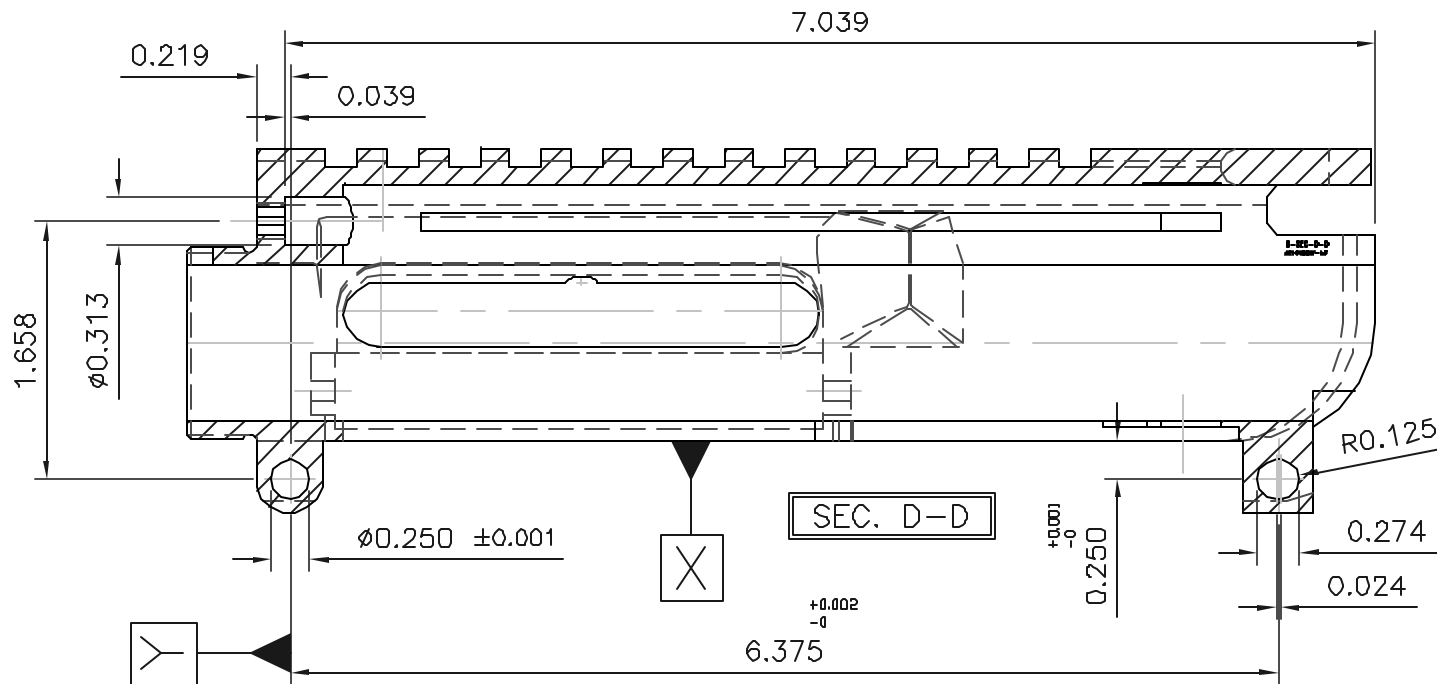
DRAWING NUMBER

CODE

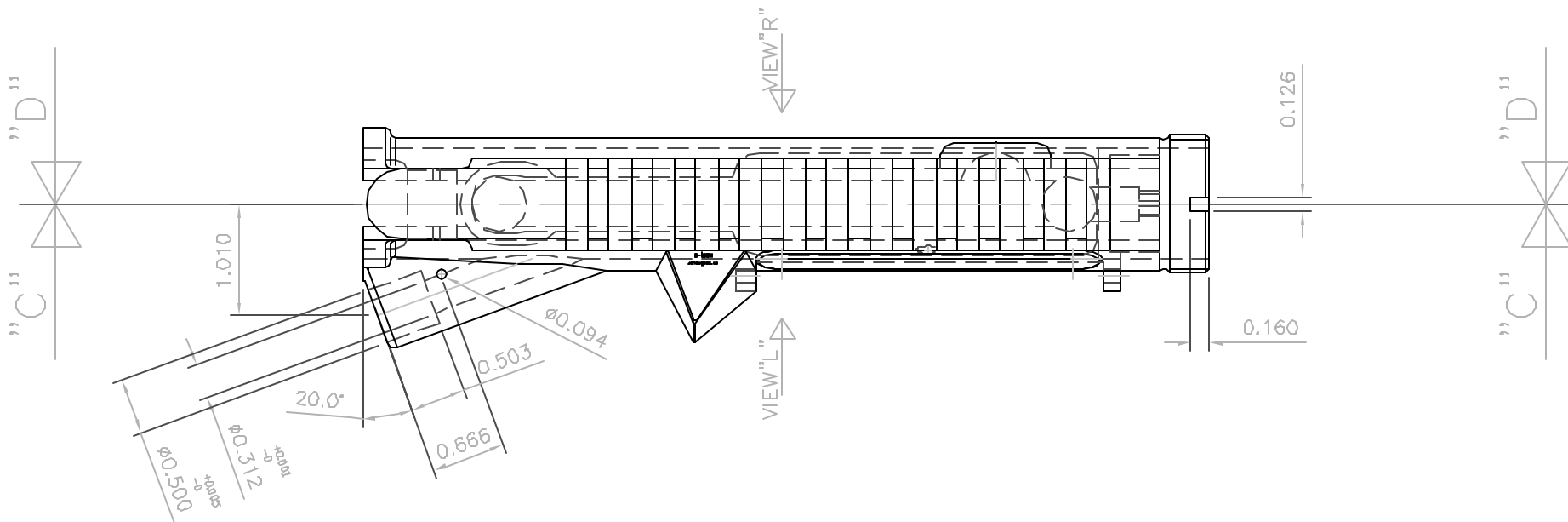
IDENT. NO.

SIZE

VAR.

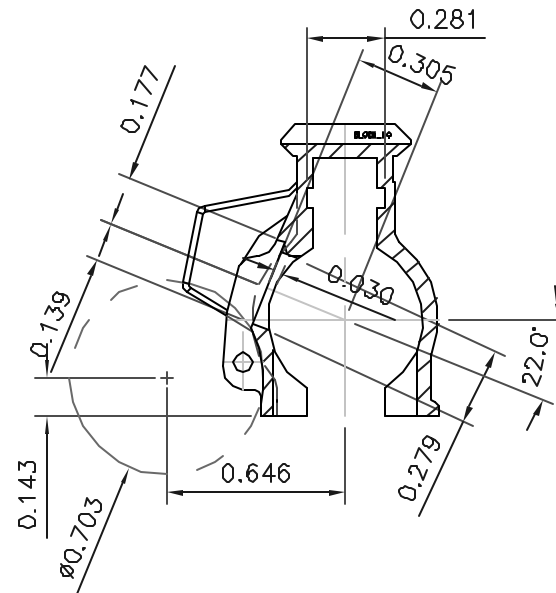
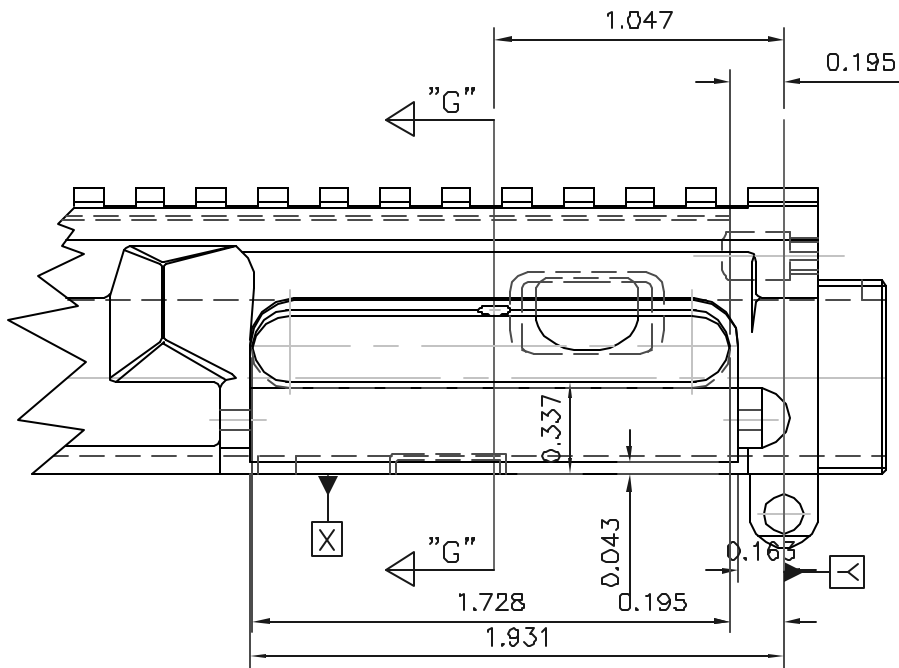


|  |            |                             |                            |
|--|------------|-----------------------------|----------------------------|
| NOT TO SCALE                             |            |                             |                            |
| DIMENSIONS ARE IN IN. ■ MM. □ D □ UAL    |            |                             |                            |
| TOLERANCES<br>UNLESS OTHERWISE SPECIFIED |            |                             |                            |
| INCH ± .005                              |            |                             |                            |
| MM. ±                                    |            |                             |                            |
| ANGLE ± .5 Deg                           |            |                             |                            |
| FINISH                                   |            | PARTS SPEC. NO.             |                            |
| MATERIAL<br>7075 T6 ALUMINUM FORGING     |            |                             |                            |
| DISTRIBUTION                             |            | LATEST PLOT<br>RELEASE DATE |                            |
| MODEL<br>AR15 UPPER RECEIVER (FLATTOP)   |            |                             |                            |
| TITLE<br>RIGHT SIDE CUTAWAY              |            |                             |                            |
| DRAWN BY                                 |            | DATE<br>Jan 2003            | SCALE FULL                 |
| CHECKED BY                               |            | DATE                        | SHEET NO. 2<br>OF 8 SHEETS |
| DRAWING NUMBER                           |            |                             |                            |
| CODE                                     | IDENT. NO. | SIZE<br>A                   | VAR.                       |



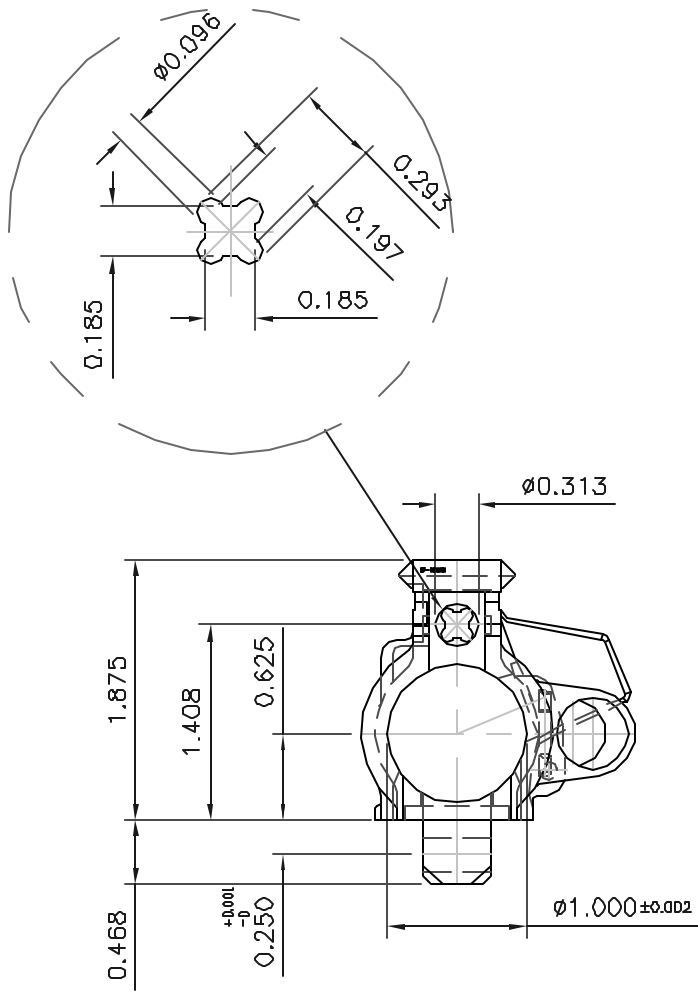
|                                       |                 |             |      |
|---------------------------------------|-----------------|-------------|------|
| NOT TO SCALE                          |                 |             |      |
| DIMENSIONS ARE IN IN. ■ MM. □ D □ UAL |                 |             |      |
| TOLERANCES UNLESS OTHERWISE SPECIFIED |                 |             |      |
| INCH ± .005                           |                 |             |      |
| MM. ±                                 |                 |             |      |
| ANGLE ± .5 Deg                        |                 |             |      |
| FINISH                                | PARTS SPEC. NO. |             |      |
| MATERIAL                              |                 | DRAWN BY    |      |
| 7075 T6 ALUMINUM FORGING              |                 | DATE        |      |
| DISTRIBUTION                          |                 | Jan 2003    |      |
|                                       |                 | SCALE FULL  |      |
|                                       |                 | CHECKED BY  |      |
|                                       |                 | DATE        |      |
|                                       |                 | SHEET NO. 5 |      |
|                                       |                 | OF 8 SHEETS |      |
| DRAWING NUMBER                        |                 |             |      |
| CODE                                  | IDENT. NO.      | SIZE        | VAR. |
|                                       |                 | A           |      |



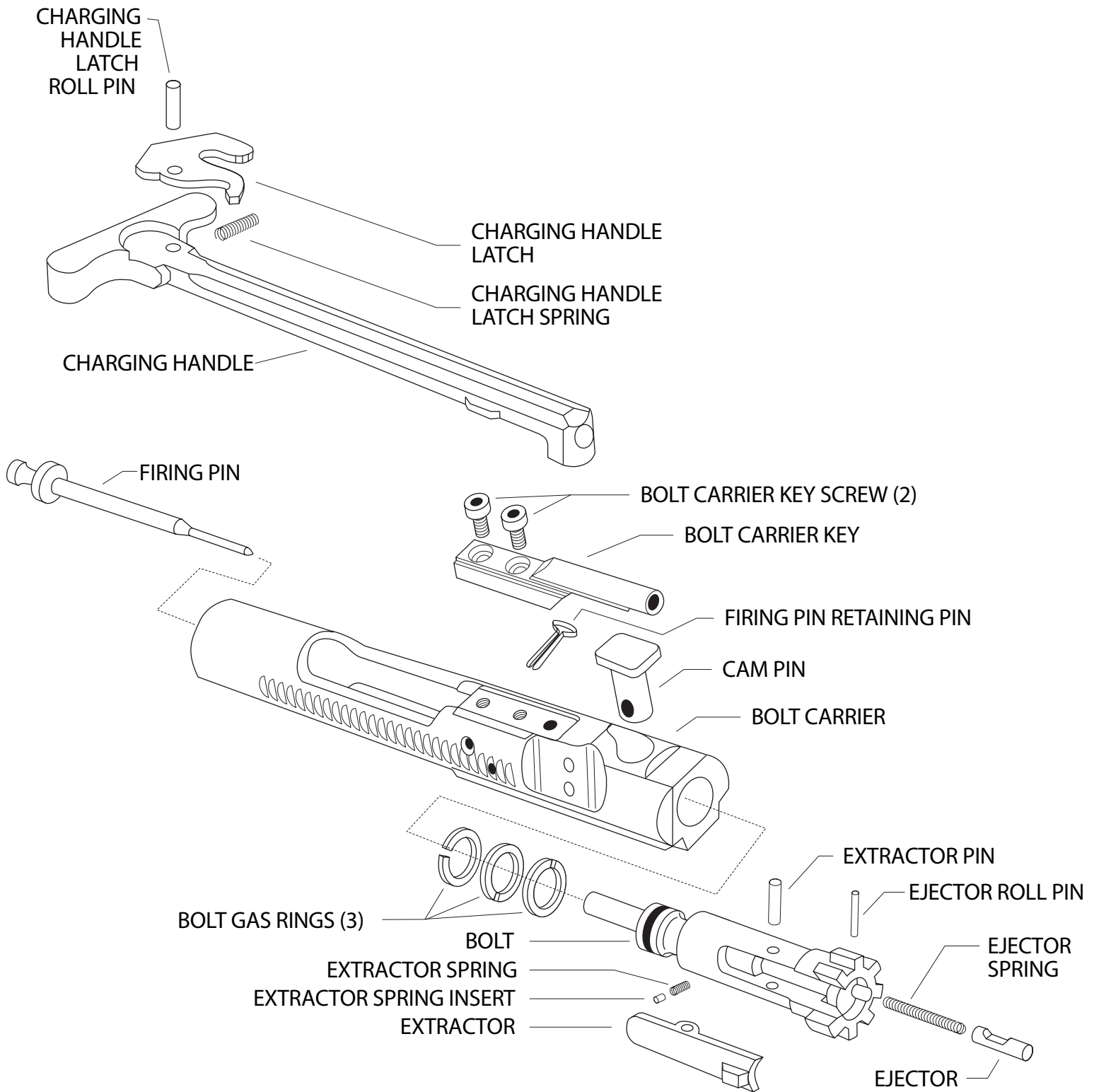


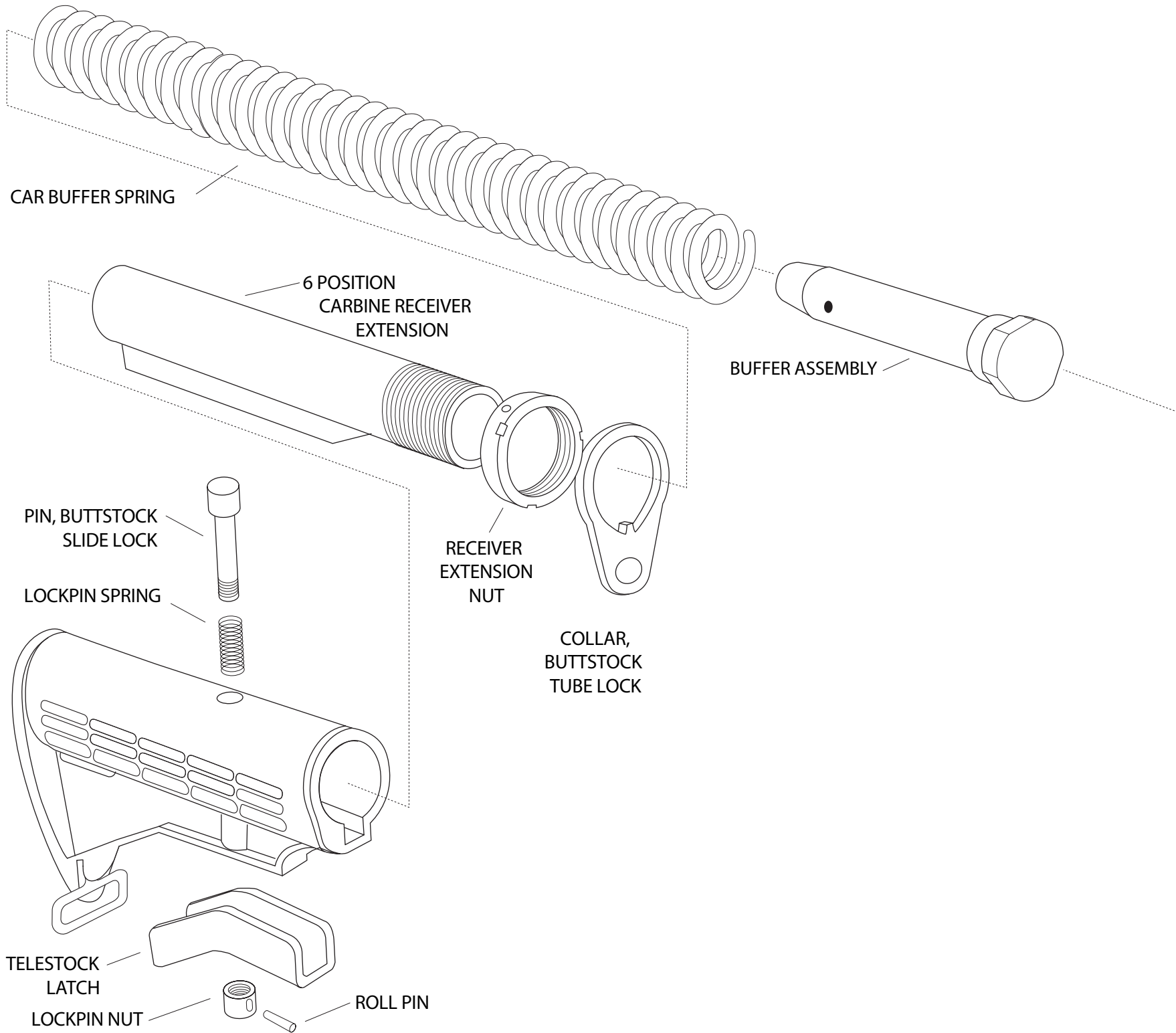
| NOT TO SCALE                          |            |                          |                         |
|---------------------------------------|------------|--------------------------|-------------------------|
| DIMENSIONS ARE IN IN. ■ MM. □ D □ UAL |            |                          |                         |
| TOLERANCES UNLESS OTHERWISE SPECIFIED |            |                          |                         |
| INCH ± .005                           |            |                          |                         |
| MM. ±                                 |            |                          |                         |
| ANGLE ± .5 Deg                        |            |                          |                         |
| FINISH                                |            | PARTS SPEC. NO.          |                         |
| MATERIAL                              |            |                          |                         |
| 7075 T6 ALUMINUM FORGING              |            |                          |                         |
| DISTRIBUTION                          |            | LATEST PLOT RELEASE DATE |                         |
| MODEL                                 |            |                          |                         |
| AR15 UPPER RECEIVER (FLATTOP)         |            |                          |                         |
| TITLE                                 |            |                          |                         |
| LEFT SIDE AND FRONT DETAIL            |            |                          |                         |
| DRAWN BY                              |            | DATE                     | SCALE FULL              |
|                                       |            | Jan 2003                 |                         |
| CHECKED BY                            |            | DATE                     | SHEET NO. 6 OF 8 SHEETS |
|                                       |            |                          |                         |
| DRAWING NUMBER                        |            |                          |                         |
| CODE                                  | IDENT. NO. | SIZE                     | VAR.                    |
|                                       |            | A                        |                         |

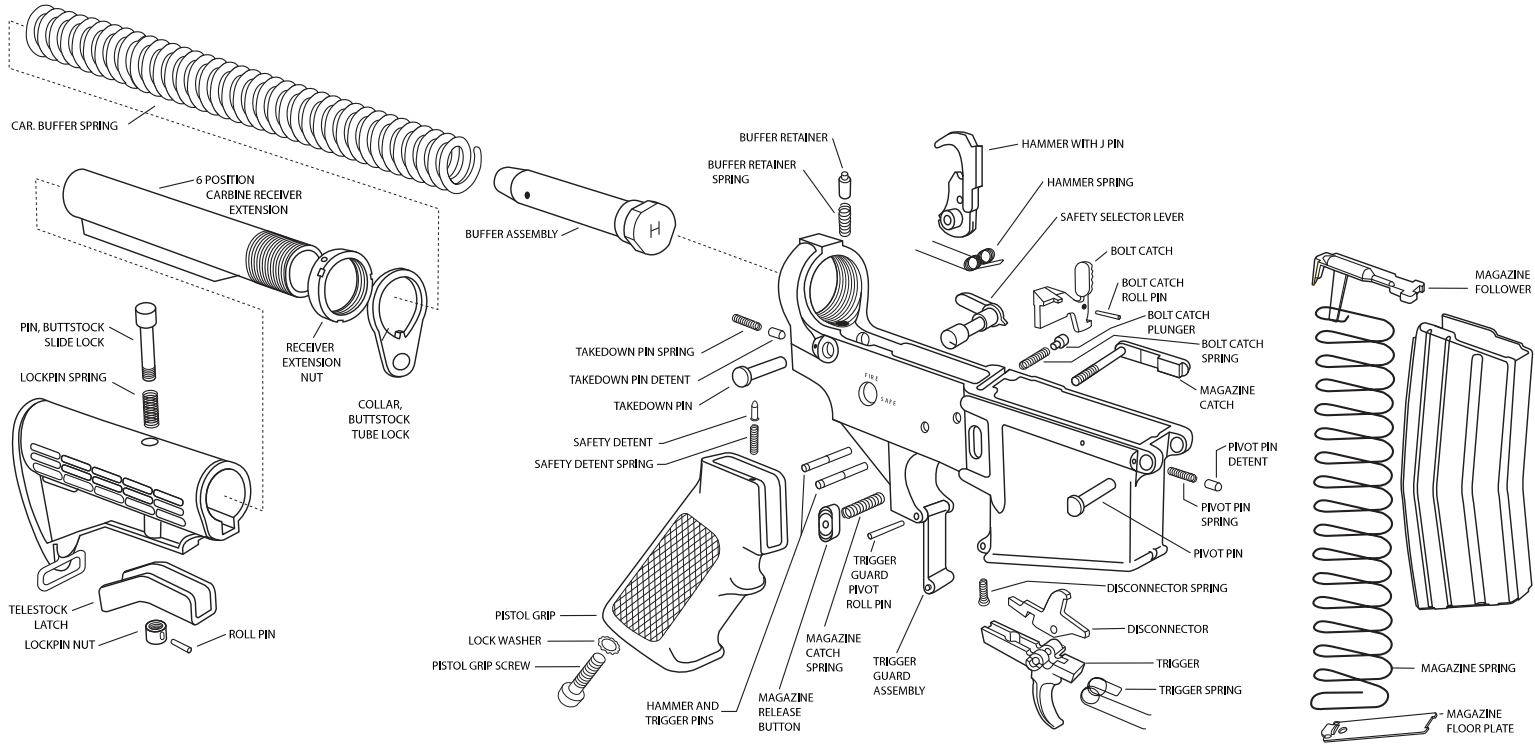


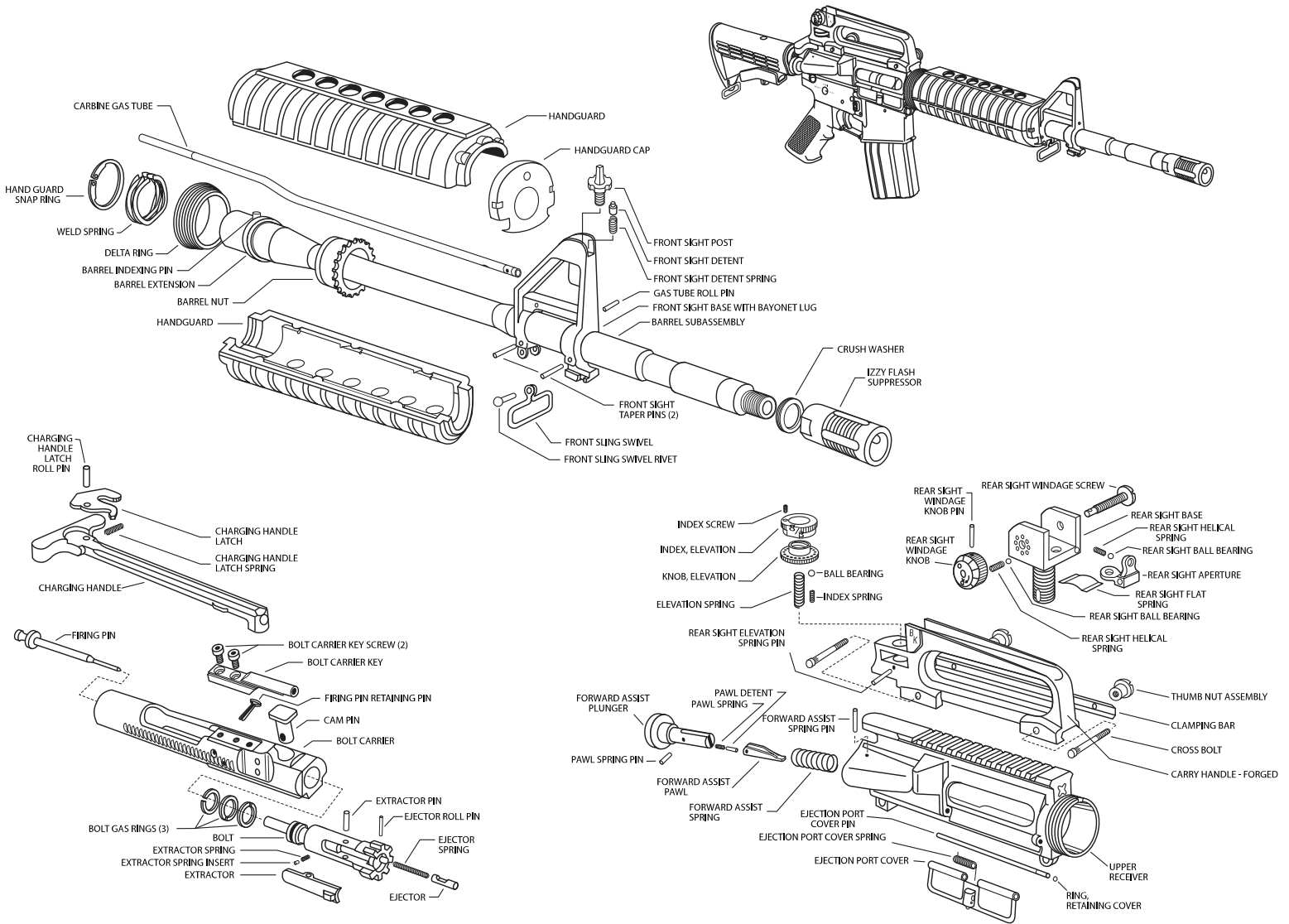


|  |                 |                             |                            |
|--|-----------------|-----------------------------|----------------------------|
| NOT TO SCALE                             |                 |                             |                            |
| DIMENSIONS ARE IN IN. ■ MM. □ D □ UAL    |                 |                             |                            |
| TOLERANCES<br>UNLESS OTHERWISE SPECIFIED |                 |                             |                            |
| INCH ± .005                              |                 |                             |                            |
| MM. ±                                    |                 |                             |                            |
| ANGLE ± .5 Deg                           |                 |                             |                            |
| FINISH                                   | PARTS SPEC. NO. |                             |                            |
| MATERIAL<br>7075 T6 ALUMINUM FORGING     |                 |                             |                            |
| DISTRIBUTION                             |                 | LATEST PLOT<br>RELEASE DATE |                            |
| MODEL<br>AR15 UPPER RECEIVER (FLATTOP)   |                 |                             |                            |
| TITLE<br>REAR DETAIL                     |                 |                             |                            |
| DRAWN BY                                 |                 | DATE<br>Jan 2003            | SCALE FULL                 |
| CHECKED BY                               |                 | DATE                        | SHEET NO. 6<br>OF 8 SHEETS |
| DRAWING NUMBER                           |                 |                             |                            |
| CODE                                     | IDENT. NO.      | SIZE                        | VAR.                       |
|  |                 | A                           |                            |

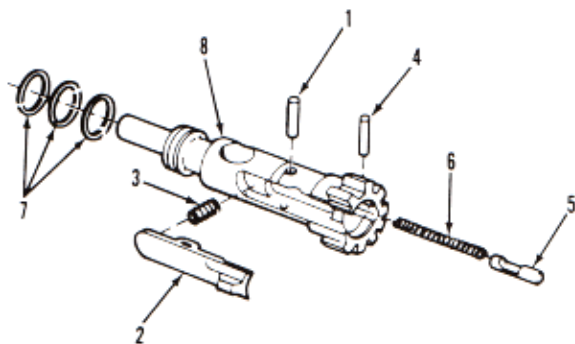






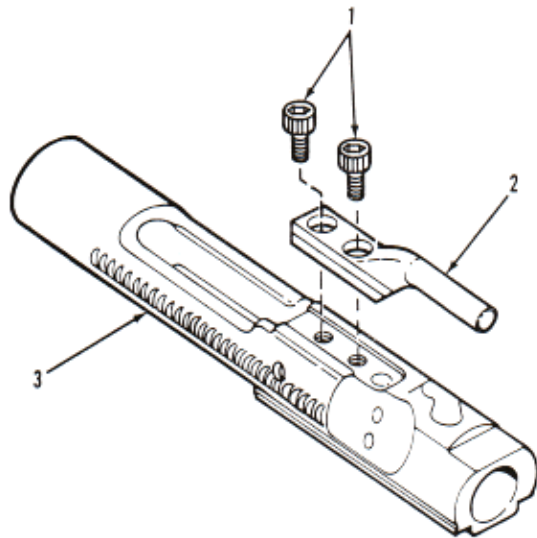






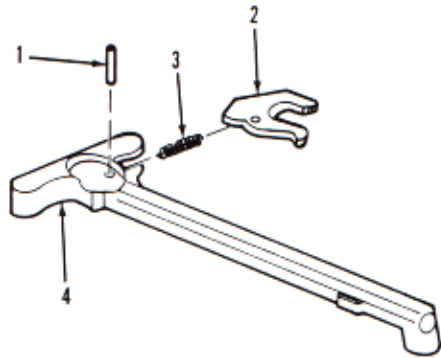
### Bolt

- (1) Extractor Pin
- (2) Extractor
- (3) Extractor Spring Assembly
- (4) Ejector Pin
- (5) Ejector
- (6) Ejector Helical Spring
- (7) Bolt Rings
- (8) Bolt



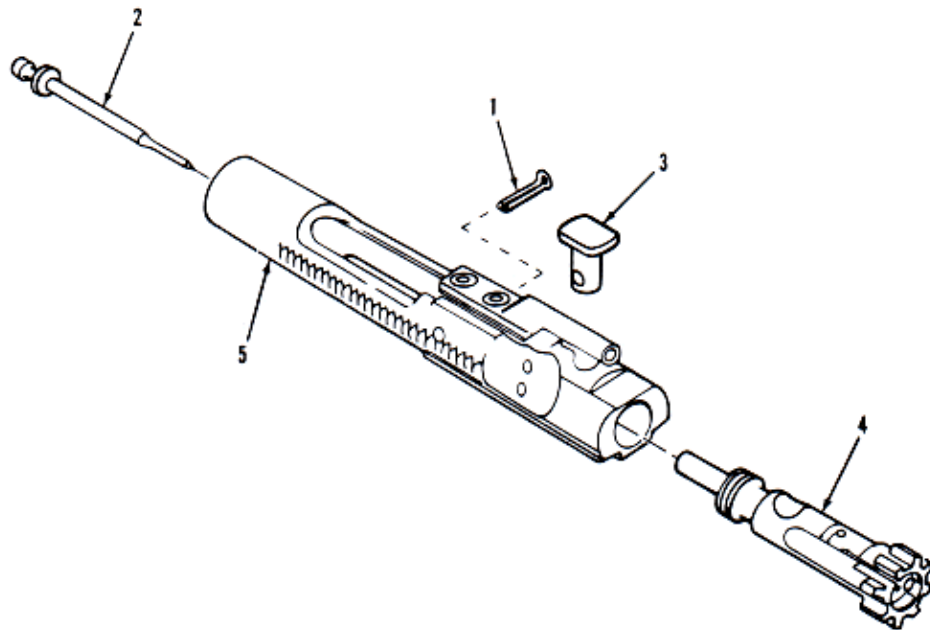
**Key And Bolt Carrier Assembly**

- (1) Carrier And Key Screw
- (2) Bolt Carrier Key
- (3) Bolt Carrier



**Charging Handle**

- (1) Charging Handle Latch Pin
- (2) Charging Handle Latch
- (3) Charging Handle Latch Helical Spring
- (4) Charging Handle



**Bolt Carrier Assembly**

- (1) Firing Pin Retaining Pin
- (2) Firing Pin
- (3) Bolt Cam Pin
- (4) Bolt Assembly
- (5) Key and Bolt Carrier Assembly

