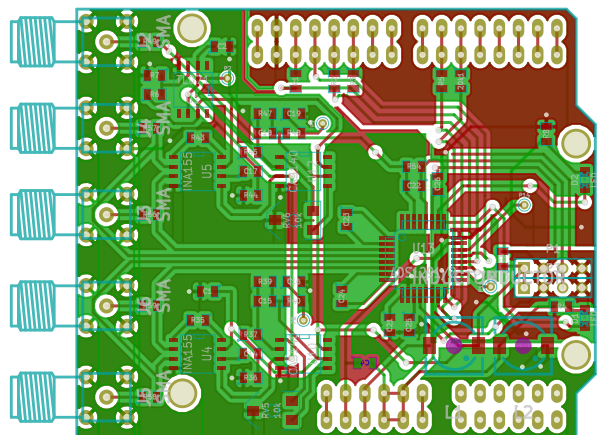
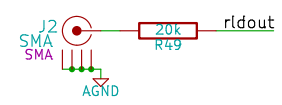
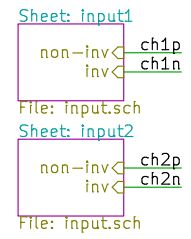
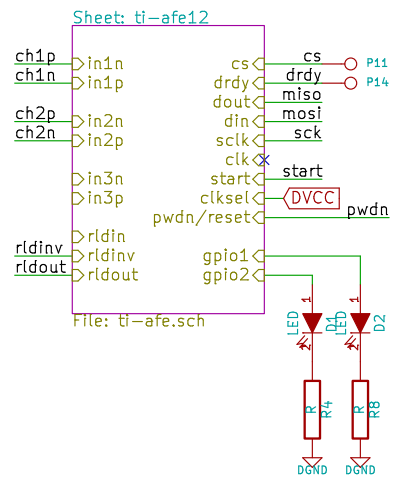
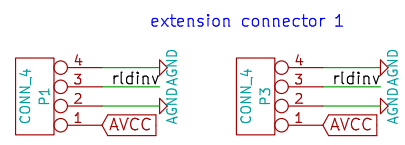
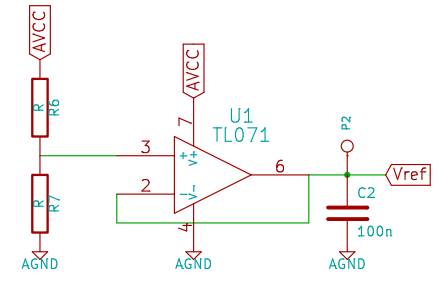
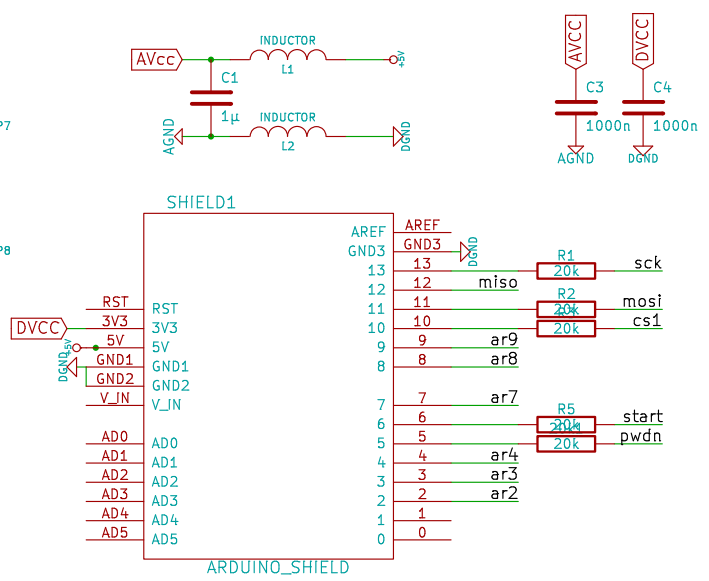
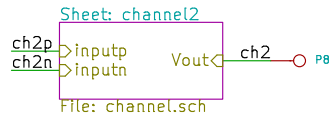
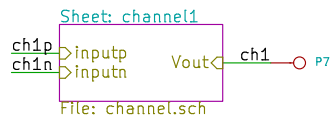


SHIELD1

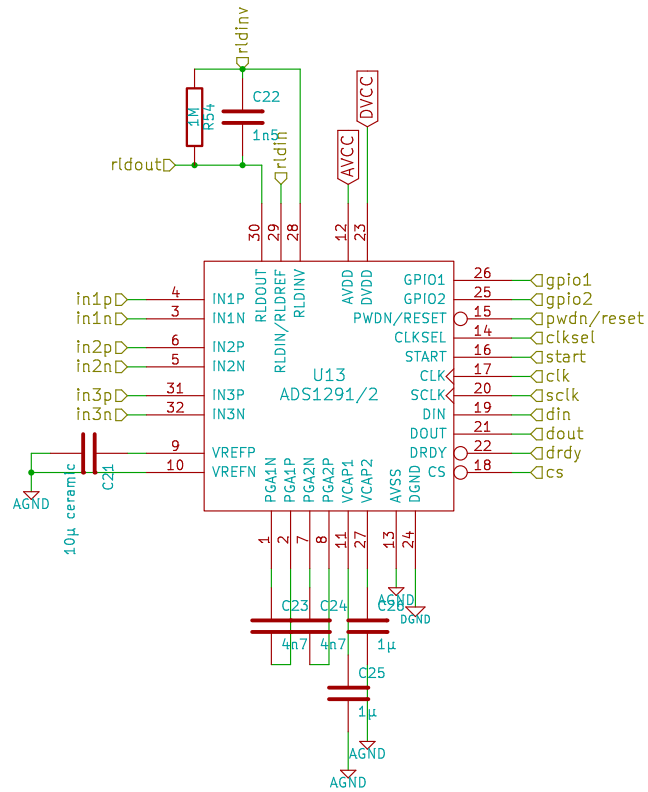




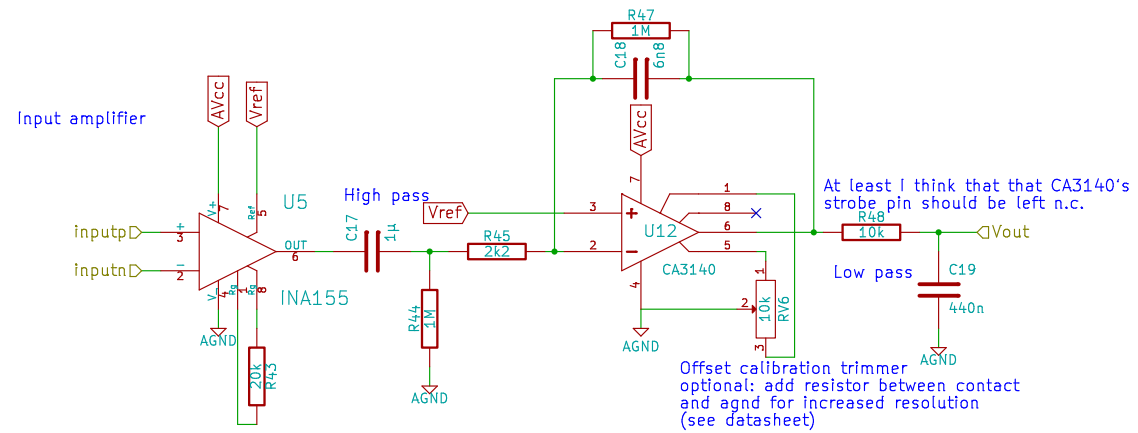
Modeled after [http://people.ece.cornell.edu/land/courses/ece4760/FinalProjects/s2012/cwm55/cwm55\\_mj294/index.html#](http://people.ece.cornell.edu/land/courses/ece4760/FinalProjects/s2012/cwm55/cwm55_mj294/index.html#)  
 Intended to be used with some microcontroller's internal ADC (e.g. an AVR's internal 10–12 bit ADC)

(c) 2012 by Sebastian Götte <sj@jaseg.de>  
 Released under a Creative Commons by-sa license (creativecommons.org)  
 No warranty for anything. Try on your own risk. Or dont.

File: modular-half-dual.sch	
Sheet: /	
<b>Title:</b> Modular, $\mu$ C-based EEG	
Size: A4	Date: 28 jul 2012
KiCad E.D.A. eeschema (2012-jan-04)-stable	<b>Rev:</b> 23
	Id: 1/6

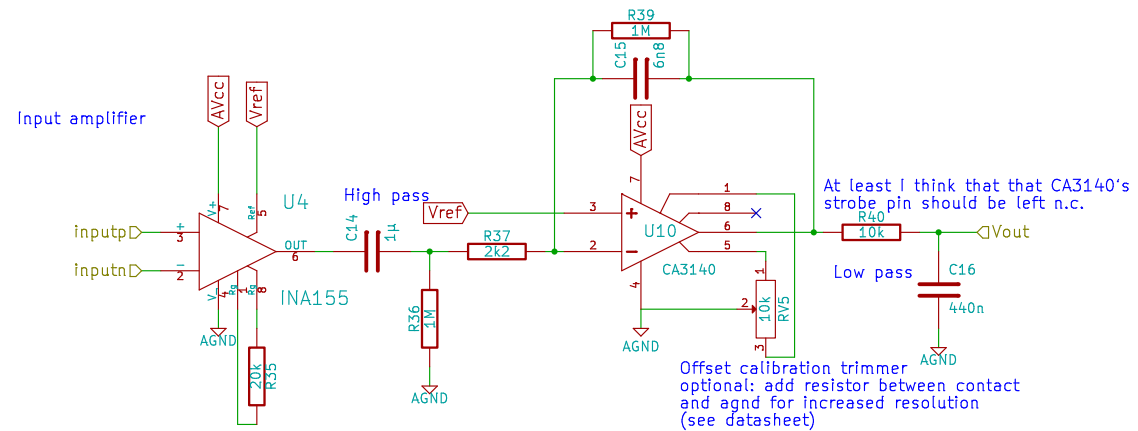


File: ti-afe.sch			
Sheet: /ti-afe12/			
<b>Title:</b>			
Size: A4	Date: 28 jul 2012	<b>Rev:</b>	
KiCad E.D.A.	eeschema (2012-jan-04)-stable	5	Id: 4/6



Originally, they used a AD620 here. I use the INA155 since a) I have a few of them lying around and b) they are 1/3 as expensive. They should not be much worse, and they have a really tiny input bias current.

File: channel.sch		
Sheet: /channel1/		
<b>Title:</b>		
Size: A4	Date: 28 jul 2012	<b>Rev:</b>
KiCad E.D.A.	eescema (2012-jan-04)-stable	Id: 6/6



Originally, they used a AD620 here. I use the INA155 since a) I have a few of them lying around and b) they are 1/3 as expensive. They should not be much worse, and they have a really tiny input bias current.

File: channel.sch

Sheet: /channel2/

Title:

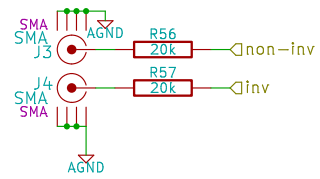
Size: A4

Date: 28 jul 2012

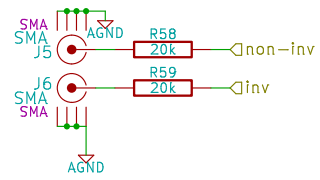
Rev:

KiCad E.D.A. eeschema (2012-jan-04)-stable

Id: 5/6



File: input.sch		
Sheet: /input1/		
<b>Title:</b>		
Size: A4	Date: 28 jul 2012	<b>Rev:</b>
KiCad E.D.A.	eeschema (2012-jan-04)-stable	Id: 3/6



File: input.sch		
Sheet: /Input2/		
<b>Title:</b>		
Size: A4	Date: 28 jul 2012	<b>Rev:</b>
KiCad E.D.A.	eeschema (2012-jan-04)-stable	Id: 2/6